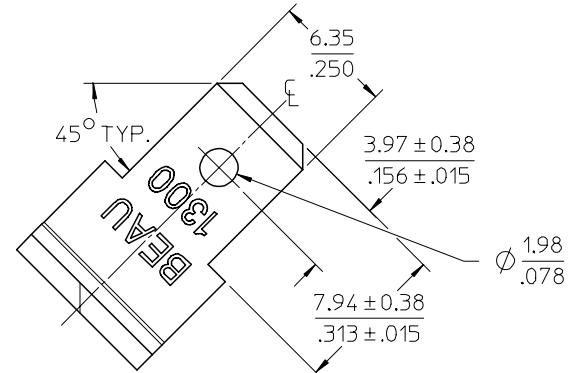
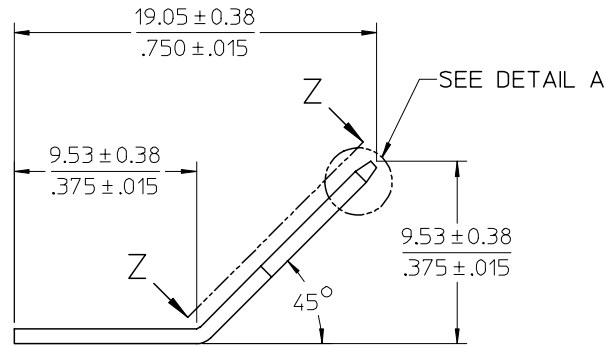


DETAIL A
SCALE 10:1



VIEW Z-Z

- NOTES:
1. MATERIAL: BRASS
 2. FINISH: TIN PLATE
 3. MUST BE ROHS COMPLIANT.

INITIAL RELEASE EC NO: ETC2006-0503 DRW:EHILE 2006/07/17 CHKD:JMACNEIL 2006/07/19 APPR:RDEROSS 2006/07/20	DESCRIPTION A	QUALITY SYMBOLS	GENERAL TOLERANCES (UNLESS SPECIFIED)	DIMENSION STYLE	SCALE	DESIGN UNITS	THIRD ANGLE PROJECTION	
		▼=0 ▽=0	mm INCH 4 PLACES ± --- ± --- 3 PLACES ± --- ± .005 2 PLACES ± 0.13 ± .01 1 PLACE ± 0.3 ± --- ANGULAR ± 2 °	MM/IN	4:1	INCH		
				DRAWN BY DATE	TITLE			
				CHECKED BY DATE	TERMINAL, 250 FAST-TAB, SL			
		APPROVED BY DATE	MOLEX INCORPORATED					
		MATERIAL NO.	DOCUMENT NO.		SHEET NO.			
		380020084	SD-38002-049		1 OF 1			
		SIZE B	THIS DRAWING CONTAINS INFORMATION THAT IS PROPRIETARY TO MOLEX INCORPORATED AND SHOULD NOT BE USED WITHOUT WRITTEN PERMISSION					